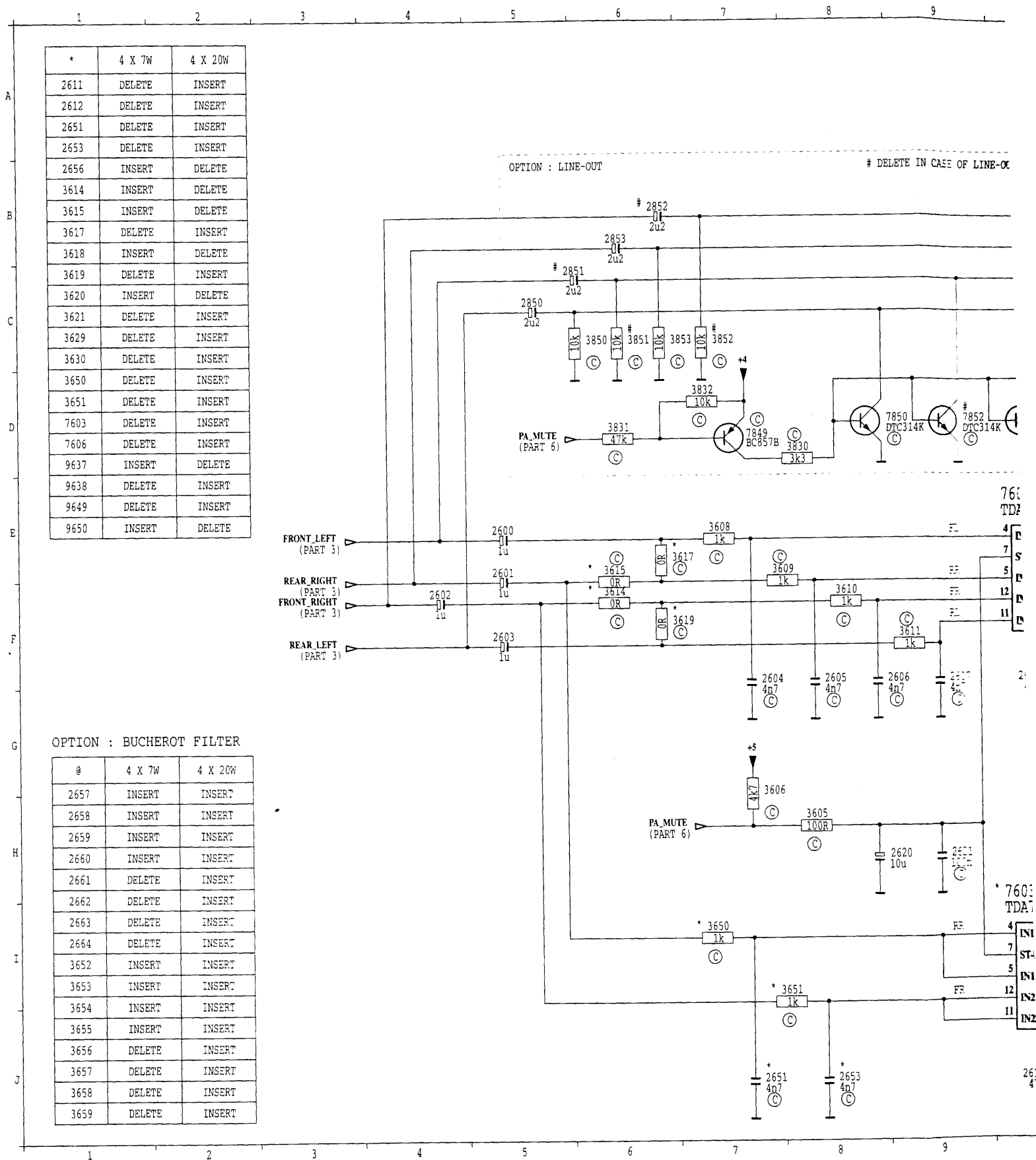


PART 5 : POWER AMPLIFIER & LINE-OUT (MAIN PCB)

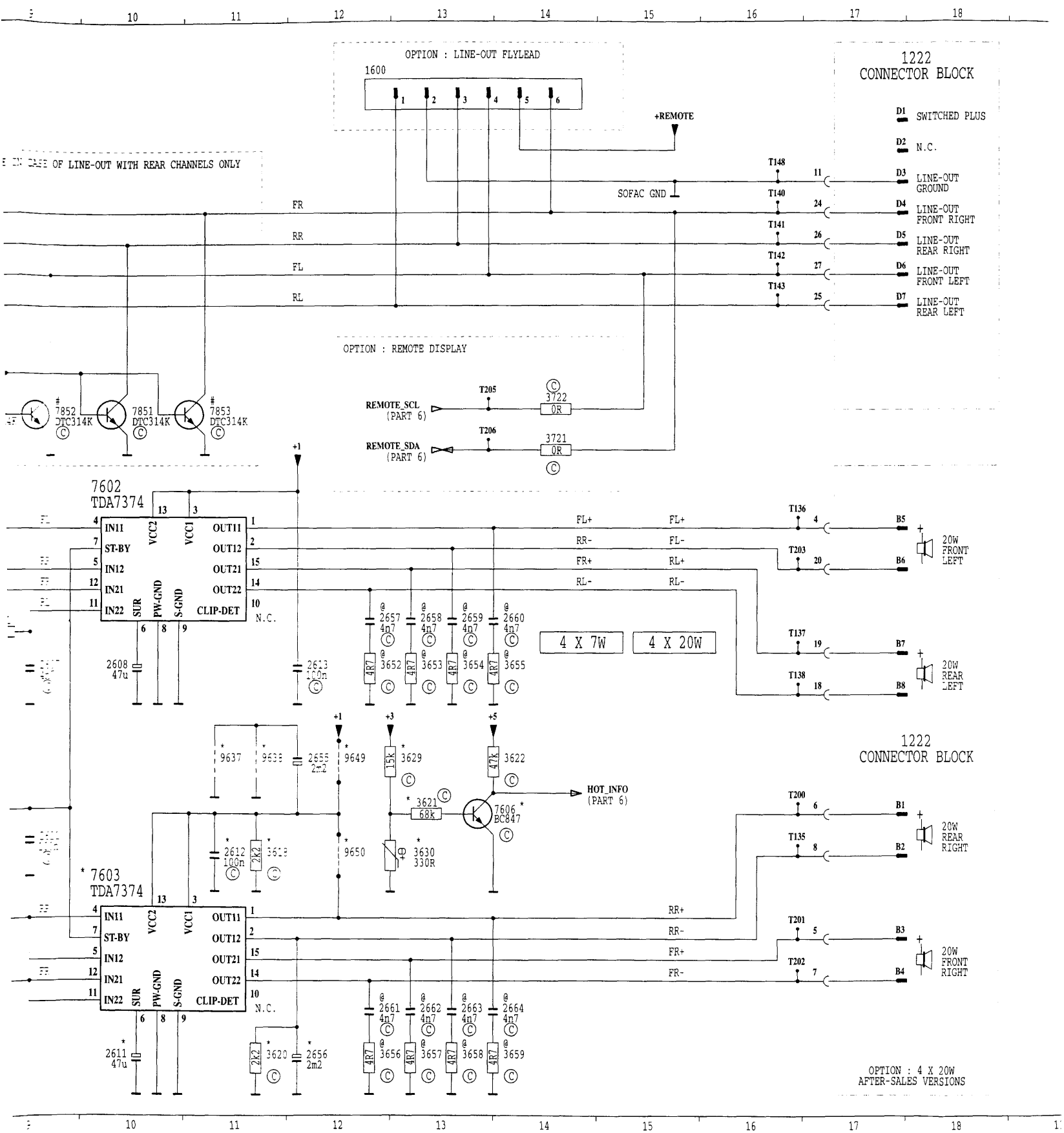


*	4 X 7W	4 X 20W
2611	DELETE	INSERT
2612	DELETE	INSERT
2651	DELETE	INSERT
2653	DELETE	INSERT
2656	INSERT	DELETE
3614	INSERT	DELETE
3615	INSERT	DELETE
3617	DELETE	INSERT
3618	INSERT	DELETE
3619	DELETE	INSERT
3620	INSERT	DELETE
3621	DELETE	INSERT
3629	DELETE	INSERT
3630	DELETE	INSERT
3650	DELETE	INSERT
3651	DELETE	INSERT
7603	DELETE	INSERT
7606	DELETE	INSERT
9637	INSERT	DELETE
9638	DELETE	INSERT
9649	DELETE	INSERT
9650	INSERT	DELETE

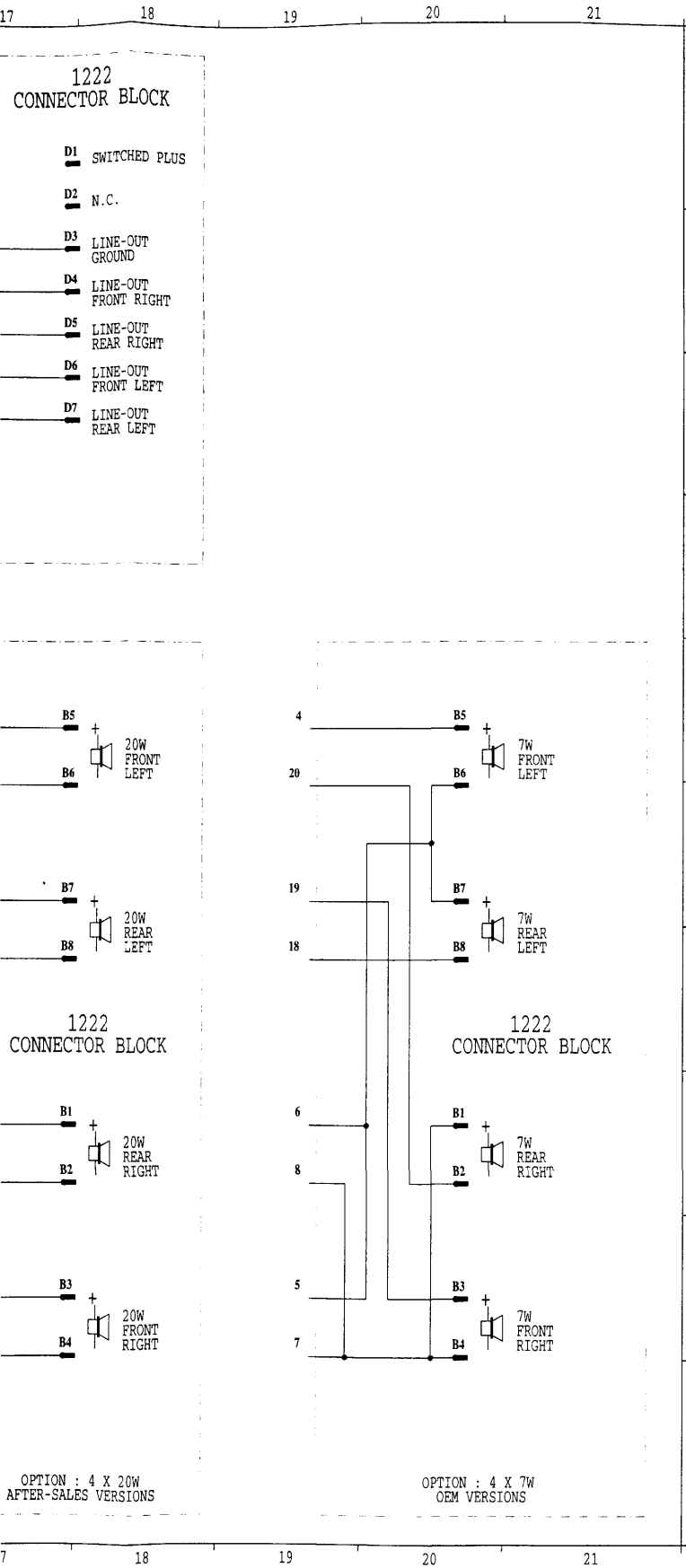
OPTION : BUCHEROT FILTER

@	4 X 7W	4 X 20W
2657	INSERT	INSERT
2658	INSERT	INSERT
2659	INSERT	INSERT
2660	INSERT	INSERT
2661	DELETE	INSERT
2662	DELETE	INSERT
2663	DELETE	INSERT
2664	DELETE	INSERT
3652	INSERT	INSERT
3653	INSERT	INSERT
3654	INSERT	INSERT
3655	INSERT	INSERT
3656	DELETE	INSERT
3657	DELETE	INSERT
3658	DELETE	INSERT
3659	DELETE	INSERT

- +REMOTE A15
- FRONT_LEFT E3
- FRONT_RIGHT F3
- HOT_INFO H15
- PA_MUTE H6/D5
- REAR_LEFT F3
- REAR_RIGHT E3
- REMOTE_SCL D12
- REMOTE_SDA D12
- SOFAC GND B15
- T135 H16
- T136 E16
- T137 H16
- T138 H16
- T140 H16
- T141 H16



- | | | | |
|----------------|----------------|----------------|----------------|
| T137 F16 | T142 C16 | T201 I16 | T206 D13 |
| T138 F16 | T143 C16 | T202 I16 | |
| T140 B16 | T148 B16 | T203 E16 | |
| T141 B16 | T200 H16 | T205 D13 | |



..... D13

Voltage measured in FM mode with

A4 = 14.4V

A7 = 14.4V

unless otherwise stated.

(OFF) = Power off

(ON) = Power on

7606 BC847

C	5V	
		0V ("hot")
B	0V	
		0.7V ("hot")
E	0V	

7849 BC857B

C	0V (ON)	
		4.8V (OFF)
B	4.8V (ON)	
		4.2V (OFF)
E	4.9V (ON)	
		4.83V (OFF)

7850 - 7853 DTC314K

C	0V (ON)	
		GND (OFF)
B	0V (ON)	
		3.1V (OFF)
E	GND	

7602 TDA7374

1	6V
2	6V
3	12.3V
4	4.5V
5	0.6V
6	0.6V
7	4.5V
8	GND
9	GND
10	N.C.
11	0.6V
12	0.6V
13	12.3V
14	6V
15	6V

7603 TDA7374

1	6V
2	6V
3	12.3V
4	4.5V
5	0.6V
6	0.6V
7	4.5V
8	GND
9	GND
10	N.C.
11	0.6V
12	0.6V
13	12.3V
14	6V
15	6V

1222 A17
1222 G17
1600 A12
2600 E 5
2601 E 5
2602 F 4
2603 F 5
2604 F 7
2605 F 8
2606 F 9
2607 F 9
2608 F 10
2611 J 10
2612 H 11
2613 F 12
2620 H 8
2621 H 9
2651 J 7
2653 J 8
2655 G 12
2656 J 12
2657 F 12
2658 F 13
2659 F 13
2660 F 14
2661 J 12
2662 J 13
2663 J 13
2664 J 14
2850 C 5
2851 C 6
2852 B 6
2853 B 6
3605 H 8
3606 H 7
3608 E 7
3609 E 8
3610 F 8
3611 F 9
3614 F 6
3615 E 6
3617 E 7
3618 H 7
3619 F 7
3620 J 11
3621 H 13
3622 G 14
3629 G 13
3630 H 13
3650 I 7
3651 I 8
3652 F 13
3653 F 13
3654 F 13
3655 F 14
3656 J 13
3657 J 13
3658 J 13
3659 J 14
3721 D 14
3722 D 14
3830 D 8
3831 D 6
3832 D 7
3850 C 6
3851 C 6
3852 C 7
3853 C 7
7602 E 10
7603 I 10
7606 H 14
7849 D 7
7850 D 8
7851 D 10
7852 D 9
9637 G 11
9638 G 11
9649 C 12
9650 H 12

