

7 ..... D11  
 8 ..... G14  
 3 ..... H20  
 4 ..... H20  
 TUNER\_RIGHT ..... D12  
 FRONT\_LEFT ..... A12

Voltage measured in FM mode with  
**A4 = 14.4V**  
**A7 = 14.4V**  
 unless otherwise stated.

1222 F 1  
 1802 I 8  
 1860 J16  
 2805 I10  
 2810 C12  
 2811 F12  
 2812 D13  
 2813 D15  
 2814 E15  
 2815 E16  
 2816 A17  
 2817 E17  
 2818 A18  
 2819 E18  
 2820 A18  
 2821 E18  
 2826 D15  
 2840 H 4  
 2841 G 4  
 2842 H 4  
 2843 I 6  
 2844 G 6  
 2860 G14  
 2861 H14  
 2862 I14  
 2863 J16  
 2864 J16  
 2865 G20  
 3720 D 3  
 3805 I 9  
 3806 J10  
 3810 C12  
 3811 C13  
 3812 C13  
 3813 C 7  
 3814 B 7  
 3815 A19  
 3816 A17  
 3817 E17  
 3840 I 4  
 3860 I16  
 3861 F20  
 6810 D14  
 7810 C16  
 7811 A 7  
 7840 G 5  
 7860 G15

(OFF) = Power off  
 (ON) = Power on

7811 HEF4052BT	
1	4V
2	4.48V
3	4V
4	0V
5	4V
6	GND
7	GND
8	GND
9	0V
10	0V
11	0V
12	3.6V
13	3.6V
14	4V
15	4.5V
16	7.85V

7860 SAA6579T/V1	
1	Square wave 5Vp-p
2	Square wave 5Vp-p
3	2.5V
4	Audio signal
5	5V
6	<0.5V
7	Audio signal
8	Audio signal
9	0V
10	0V
11	0V
12	5V
13	Sine wave 0.6Vp-p
14	Sine wave 3.2Vp-p
15	N.C.
16	Square wave 5Vp-p

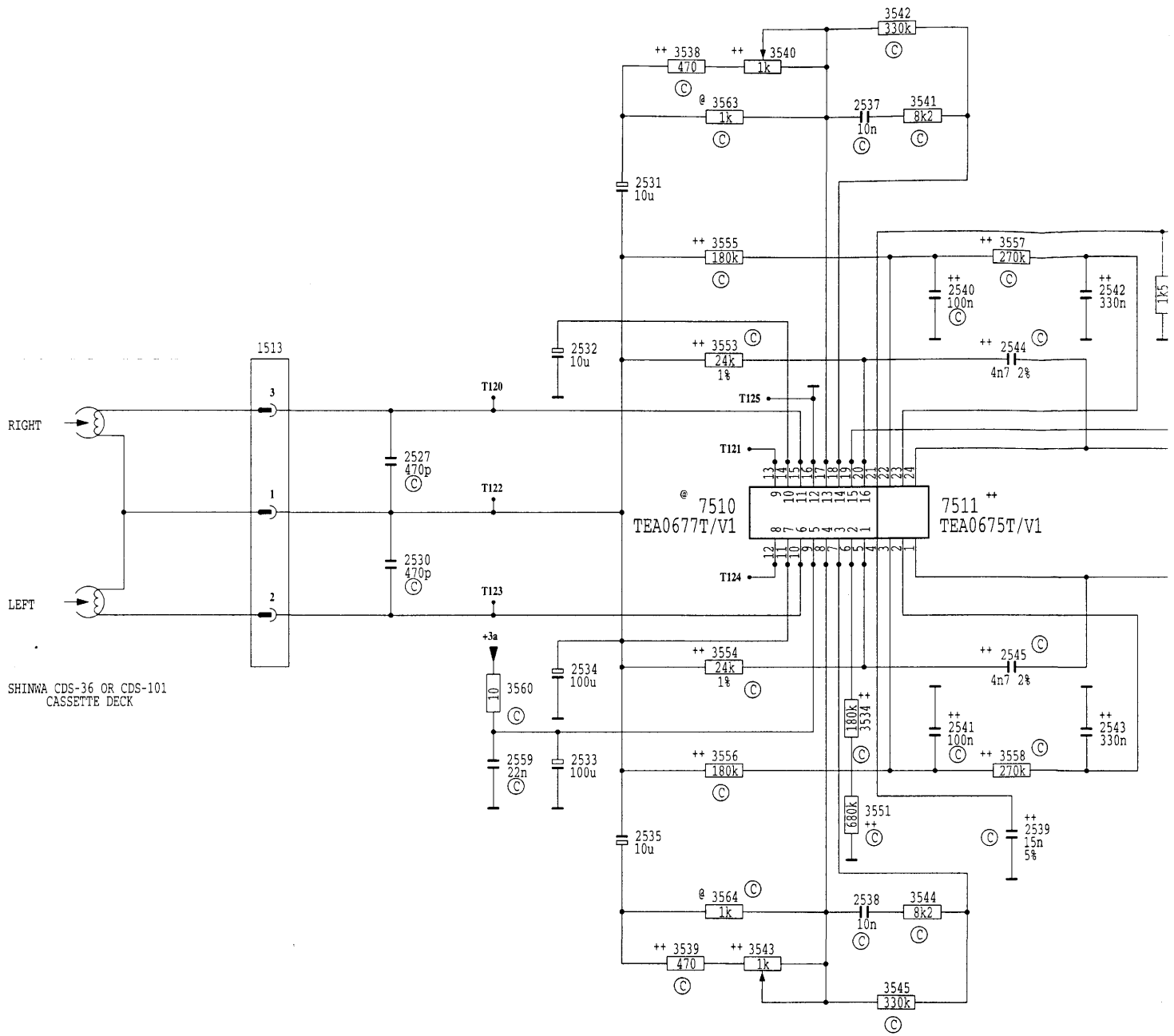
7840 TDA8579T	
1	4.9V
2	5.1V
3	4.9V
4	5.3V
5	GND
6	4.5V
7	4.5V
8	8.5V

**7810 TEA6330T**

1	7.8V
2	4V
3	0V
4	3.9V
5	3.9V
6	3.9V
7	3.9V
8	3.9V
9	8.5V
10	0V
11	4.9V
12	4.9V
13	3.9V
14	3.9V
15	3.9V
16	3.9V
17	3.9V
18	7.85V
19	3.9V
20	3.9V

PART 4 : CASSETTE PRE-AMPLIFIER & DOLBY (MAIN PCB)

1 2 3 4 5 6 7 8 9



# INSERT IN CASE OF SHINWA CDS-36 CASSETTE DECK  
 \* INSERT IN CASE OF SHINWA CDS-101 CASSETTE DECK

++ INSERT ONLY IN SETS WITH DOLBY  
 @ INSERT ONLY IN SETS WITHOUT DOLBY

1 2 3 4 5 6 7 8 9

+2 ..... E16/E17

+3a ..... G10

+3b ..... G11/F5

+5 ..... E15/E20/F17/G18/J20/I12

CAS\_LEFT ..... E12

CAS\_RIGHT ..... D12

DOLBY\_ON ..... C13

LEFT\_REV ..... E1

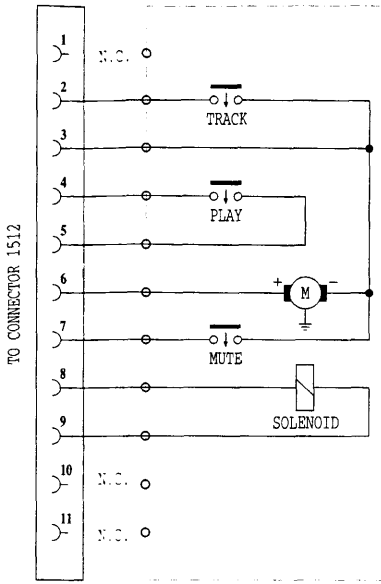
LEFT\_FWD ..... E1

LEFT ..... B1

MSS ..... H12

MSS\_OUT ..... B5

OPTION : SHINWA CDS-101 CASSETTE DECK



1512 E13  
1513 C 3  
2518 H20  
2519 J18  
2527 D 4  
2530 E 4  
2531 B 6  
2532 C 5  
2533 G 5  
2534 F 5  
2535 G 6  
2537 A 6  
2538 C 6  
2539 C 6  
2540 B 6  
2541 F 6  
2542 C 10  
2543 F 10  
2544 C 9  
2545 F 9  
2546 C 11  
2559 G 5  
3519 I 16  
3520 J 12  
3521 I 17  
3522 I 17  
3523 I 18  
3524 F 17  
3525 F 17  
3526 F 16  
3527 H 20  
3528 H 20  
3529 G 18  
3530 F 18  
3531 F 20  
3532 F 18  
3533 F 15  
3534 F 8  
3535 F 17  
3536 G 15  
3537 G 18  
3538 A 6  
3539 H 6  
3540 A 7  
3541 A 8  
3542 A 8  
3543 H 9  
3544 H 9  
3545 C 6  
3546 C 6  
3547 C 6  
3548 C 6  
3549 B 11  
3550 F 14  
3551 C 10  
3552 C 10  
3553 C 10  
3554 C 6  
3555 C 6  
3556 G 6  
3557 C 6  
3558 G 9  
3559 B 11  
3560 F 5  
3562 F 14  
3563 A 6  
3564 H 6  
3565 C 12  
3573 C 10  
3581 J 10  
6510 I 11  
7503 F 12  
7504 I 17  
7505 F 17  
7506 F 19  
7507 C 11  
7509 E 7  
7510 E 7  
7511 E 8  
7513 J 12

**Voltage measured in FM mode with**

**A4 = 14.4V**

**A7 = 14.4V**

**unless otherwise stated.**

(OFF) = Power off

(ON) = Power on

**7513 BC847**

Voltage measured in

Tape play mode.

+1 +14.4V

C 5V (ME/CR on)

+2 +13.8V

0V (ME/CR off)

+3a, +3b 8.5V

B 0V (ME/CR on)

+4 +5V

0.7V (ME/CR off)

+5, +5a, +5b +5V

E 0V

+7 +5V

+CDCC 14.4V

Vref 5V

**7503 BC847**

C 0.12V (CASS. PLAY)

11.5V (CASS. EJECT)

B 0.7V (CASS. PLAY)

0V (CASS. EJECT)

**7509 BC847**

Voltage measured in

Tape play mode.

E 0V

C 4V (Dolby on)

0V (Dolby off)

**7507 BC847**

C 4.9V (CASS. PLAY)

0V (CASS. EJECT)

B 0V (Dolby on)

0.7V (Dolby off)

B 0V (CASS. PLAY)

0.7V (CASS. EJECT)

E 0V

**7511 TEA0675T**

Voltage measured in

Tape play mode.

**7506 BC636**

C 13.06V (CASS. PLAY)

0.13V (CASS. EJECT)

1 Tape left

2 3.6V

B 13.1V (CASS. PLAY)

13.36V (CASS. EJECT)

3 4.2V

4 4.2V

E 12.36V (CASS. PLAY)

13.36V (CASS. EJECT)

5 Tape left

6 6.8V

7 4V

8 4V

9 8.4V

10 4.2V

11 4.2V

12 4V

13 4V

14 6.6V

15 4.2V

16 0V

17 4.2V

18 4.2V

19 4.8V (ME/CR off)

5V (ME/CR on)

20 Tape right

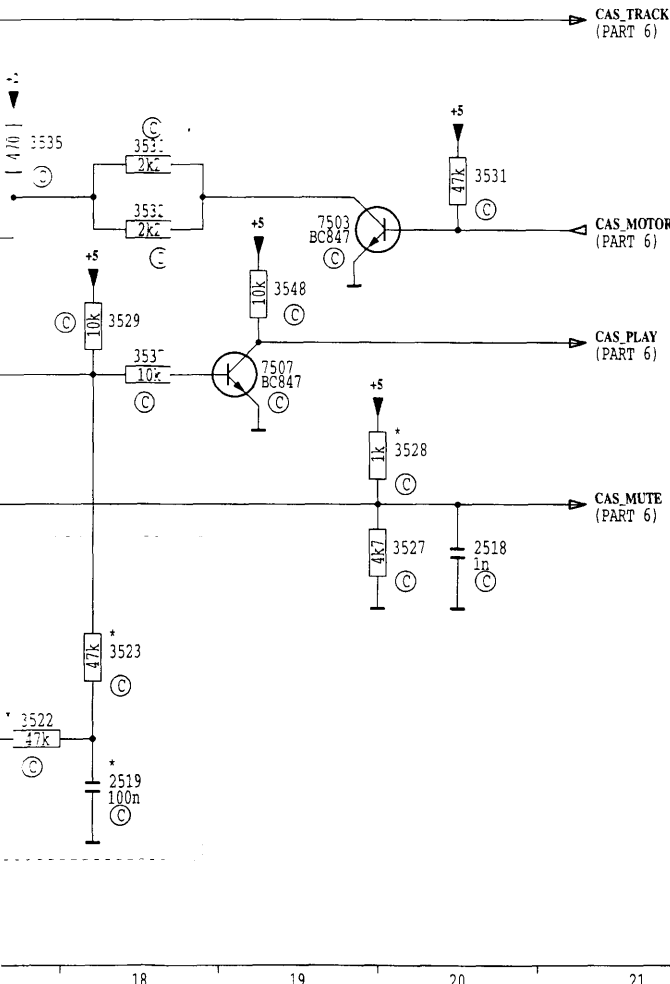
21 0.8V (Dolby off)

4V (Dolby on)

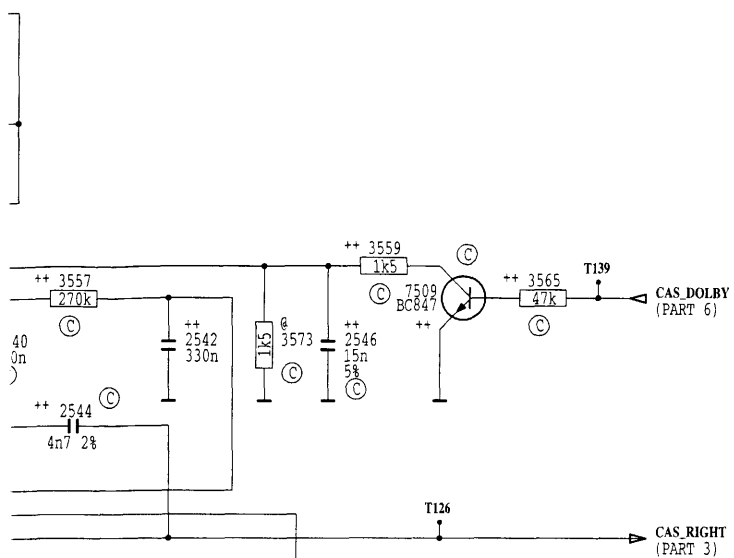
22 3.6V

23 3.2V

24 Tape right

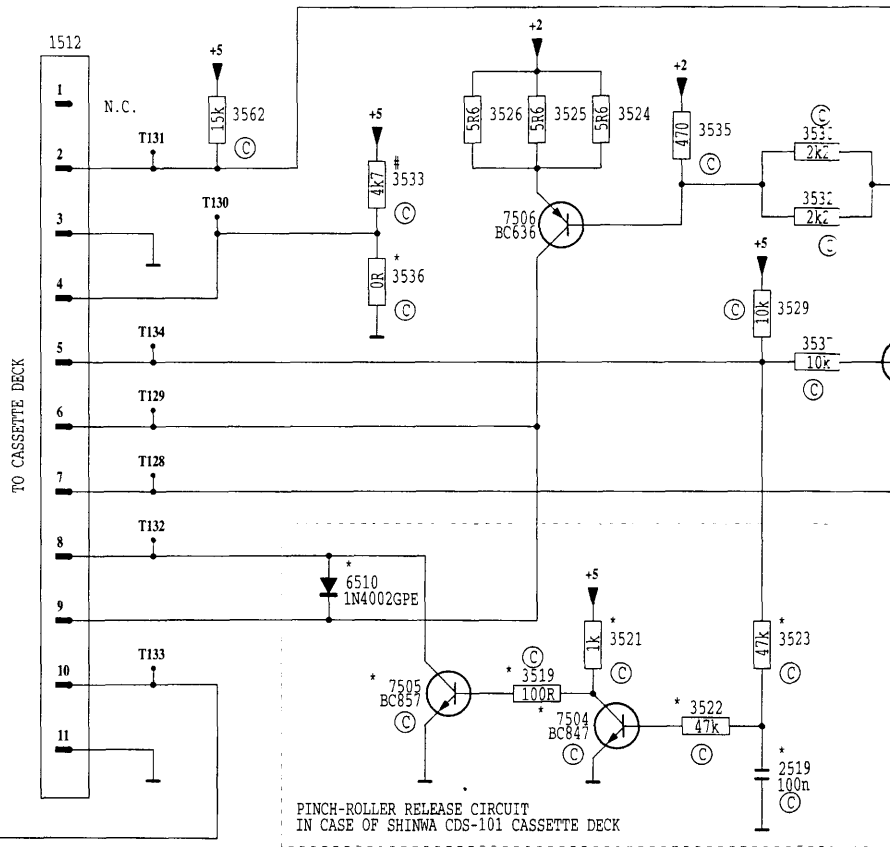
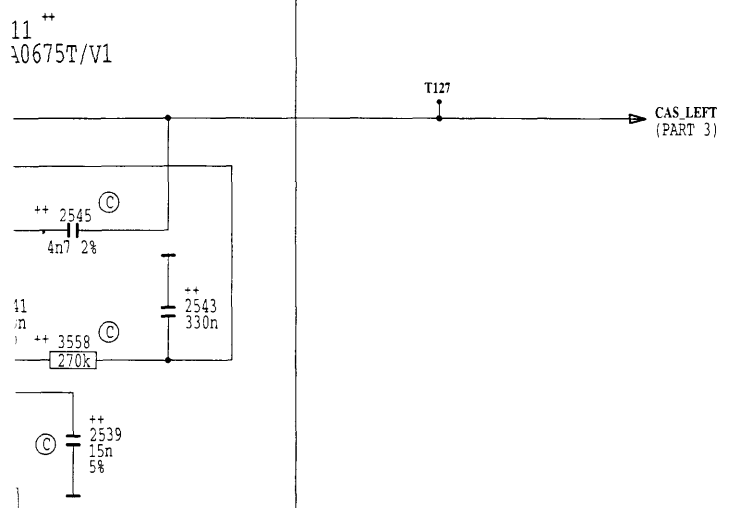
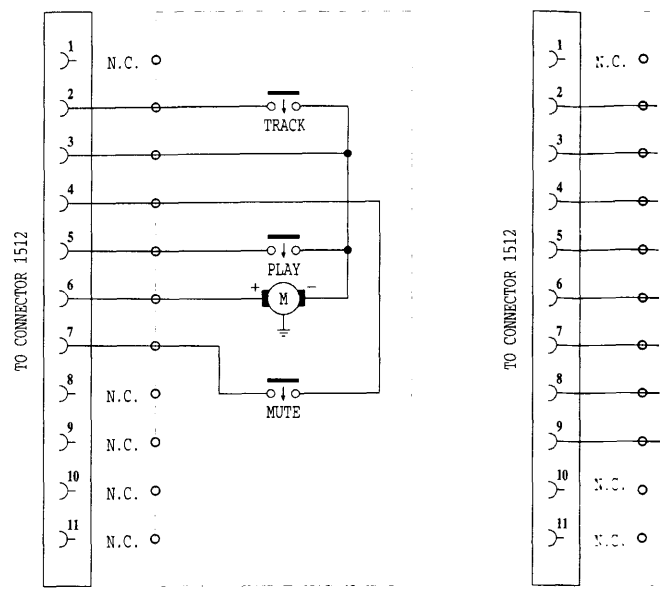


- '131 ..... F14
- '130 ..... F14
- '134 ..... G14
- '129 ..... G14
- T128 ..... H14
- T132 ..... H14
- T133 ..... I14



OPTION : SHINWA CDS-36 CASSETTE DECK

OPTION : SHINWA



OPTION : ME/CR  
- DELETE 3581 FOR THIS OPTION

. E1	RIGHT FWD .....	D1	T122 .....	E5	T124 .....	E6	T131 .....	F14
. B1	RIGHT REV .....	D1	T123 .....	E5	T139 .....	B12	T130 .....	F14
. H12	RIGHT .....	A1	T125 .....	D7	T126 .....	D11	T134 .....	G14
. B5	T120 .....	D5	T121 .....	D7	T127 .....	E11	T129 .....	G14