

1

2

3

4

5

6

7

8

A

A

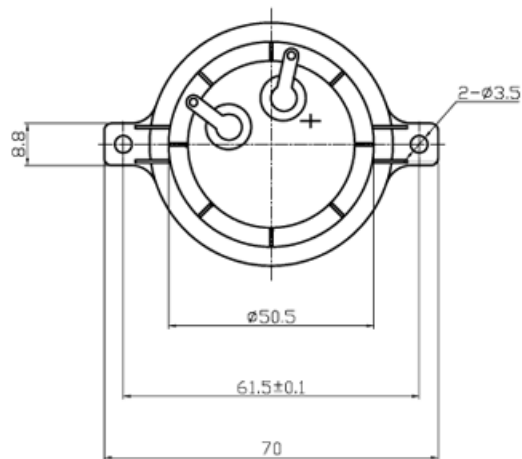
B

B



C

C



D

D

E

E

F

F

SPECIFICATION

1. Rated Voltage10Vp-p
2. Max. Rated Input Voltage30Vp-p
3. Rated Frequency Range2.5-60KHz
4. Rated Sensitivity92±3dB/w.10cm
5. Resonant Frequency22±3KHz
6. Case MaterialPBT
7. Operating Temperature-20~+70 °C
8. Store Temperature-30~+80 °C
9. Weight10g

						KEPO KEPO ELECTRONIC CO., LTD. http://www.kepo.com.tw	
No.	DESCRIPTION	APPROVED	DATE	Piezo speaker PCT-5120			
<small>TOLERANCES UNLESS NOTED OTHERWISE</small> X .X XX .X XXX .X 99° FORMED ±2° ANGLES ±1°		APPROVALS	DATE	UNIT	DWG NO.		
		DRAWN		mm	KP3.840.510		
<small>FIRST ANGLE PROJECTION</small> 		CHECKED		SCALE	NOT TO SCALE		SHEET
		APPROVED	03.05.05			VER	1.0

1

2

3

4

5

6

7

8