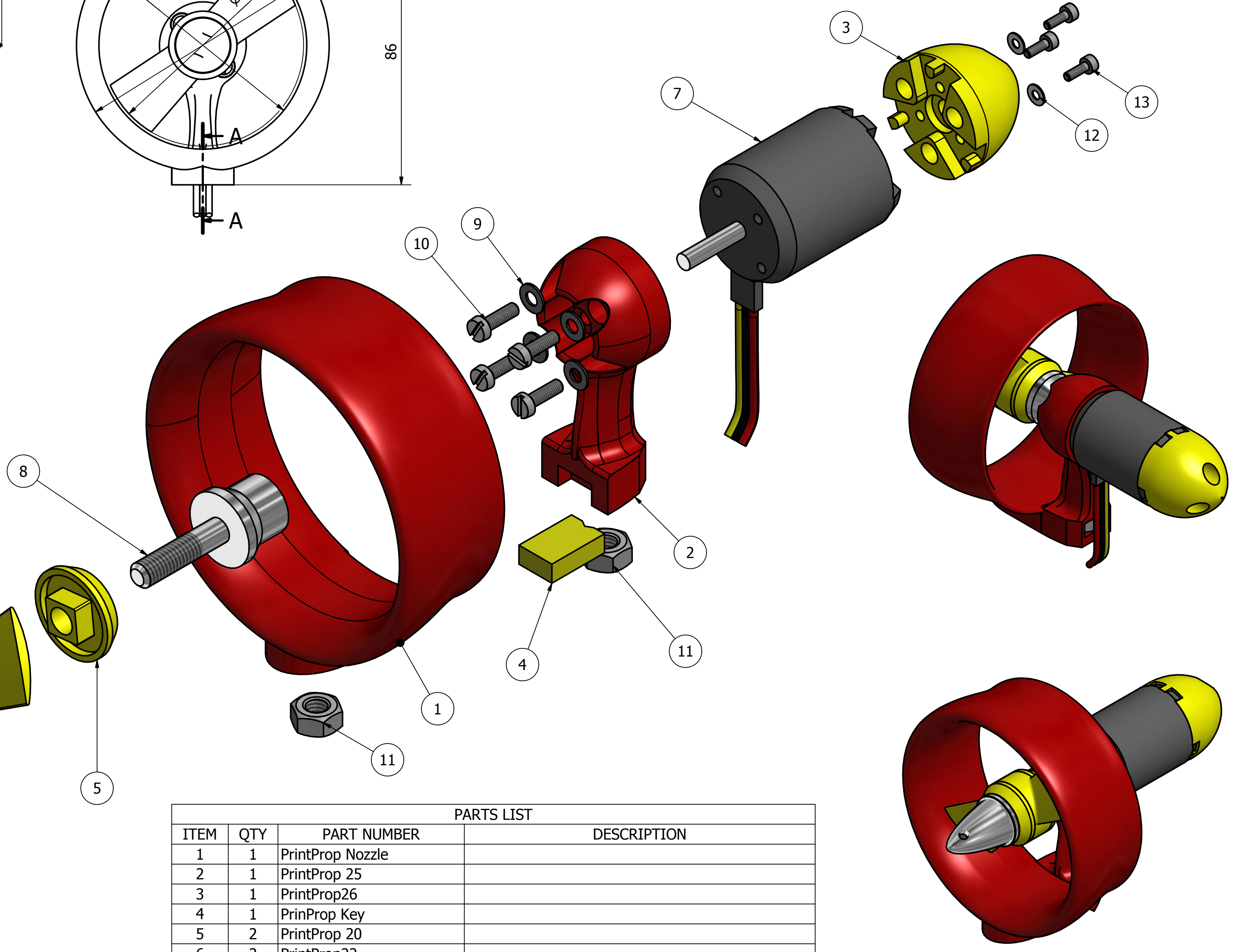
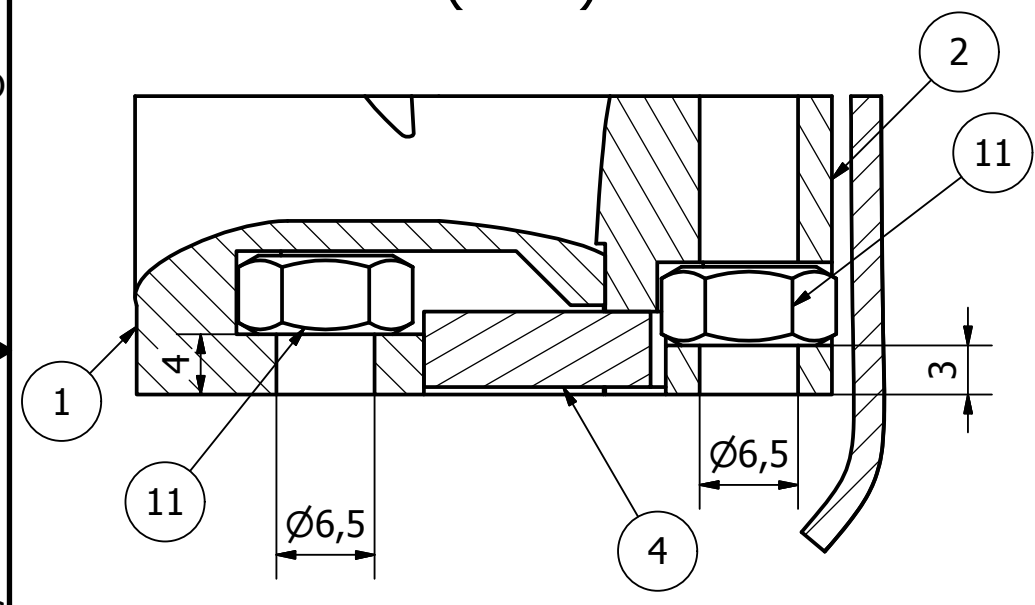


A-A ( 2:1 )



PARTS LIST			
ITEM	QTY	PART NUMBER	DESCRIPTION
1	1	PrintProp Nozzle	
2	1	PrintProp 25	
3	1	PrintProp26	
4	1	PrinProp Key	
5	2	PrintProp 20	
6	2	PrintProp22	
7	1	NTM2836-750	
8	1	PrintProp Collar - JY4.0	
9	4	ISO 7091 - ST 3 - 100 HV	Plain washers - Normal series - Product grade C
10	4	ISO 1207 - M3 x 10	Slotted Cheese Head Screw
11	2	ISO 4032 - M6	Hexagon nuts, style 1 - Product grades A and B
12	3	ISO 7089 - 2 - 140 HV	Plain washers - Normal series - Product grade A
13	3	DIN 912 - M2 x 6	Cylinder Head Cap Screw

Designed by OLE	Checked by	Approved by	Date 01.09.2014	Date
PrintPropV1			Edition	Sheet 1 / 1